

# FAIR AND SQUARE

## DATASHEET

SHORTY & SHORTY SL

SQUARE TAPERED BOTTOM BRACKET

***thun***<sup>®</sup>

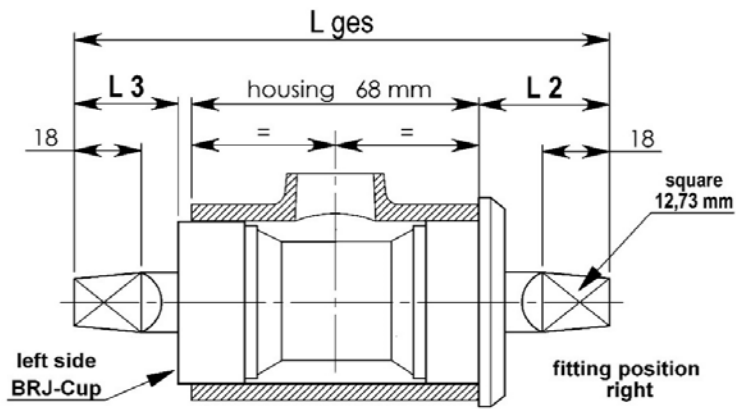
# TECHNICAL SPECIFICATIONS

## GENERAL ATTRIBUTES OF SHORTY AND SHORTY SL

ATTRIBUTES	DESCRIPTIONS/VALUES
Certified as per	ISO 4210-8:2014 city-trekking bikes (SHORTY) ISO 4210-8:2014 mountain bikes (SHORTY-ML SL)
Surface of spindle	A2B
Type of ball bearings	2RS
Material of composite cups	Composite A
Thread dimensions of composite cups	BS 1.375" x 24
Compatible assembly key	Standard Shimano® assembly key
Compatible retightening key (right cup only)	PEDRO'S® (item no. 6460270)
Material of sleeve	Composite A



# TYPES AND DIMENSIONS



HOUSING LENGTH	TYPE	REFERENCE SIZE	DIMENSIONS RIGHT-HAND SIDE OF ASSEMBLY	DIMENSIONS LEFT-HAND SIDE OF ASSEMBLY	SPINDLE LENGTH
±0.5 mm			L2 ±0.5 mm	L3 ±0.5 mm	Lges ±1.0 mm
[mm]			[mm]	[mm]	[mm]
	108 K	107.5	20.30	17.45	108.30
	109 K	110.5	21.30	17.45	109.30
68.00	111 K	111.0	22.65	17.45	109.30
	114 K	113.0	22.65	20.45	113.65
	114 L	119.0	26.30	16.80	113.65

# TYPES AND WEIGHTS

<b>TYPE</b>	<b>REFERENCE SIZE</b>	<b>WEIGHT SHORTY</b> [g]	<b>WEIGHT SHORTY SL</b> [g]
108 K	107.5	216.0	198.0
109 K	110.5	219.3	201.0
111 K	111.0	221.5	202.7
114 K	113.0	226.0	206.6
114 L	119.0	226.0	206.6

Corporate identity and graphic design: Anika Freytag  
3D renderings: Medienrausch GmbH & Co. KG  
Claim development: TXT Konzeption & Text Thomas Volberg

Rev. 001/01.2020

© Alfred Thun GmbH & Co. KG. All rights reserved.

Any reprinting/redistribution of this work without the express written consent is prohibited.

Errors and omissions excepted.

Content is confidential.

**thun**<sup>®</sup>